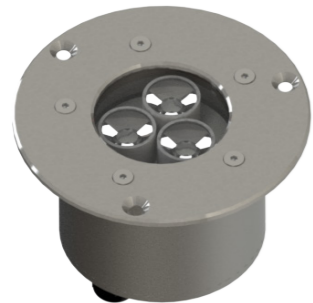


# AquaLIGHT 303

Illuminate Excellence with AquaLIGHT 303!



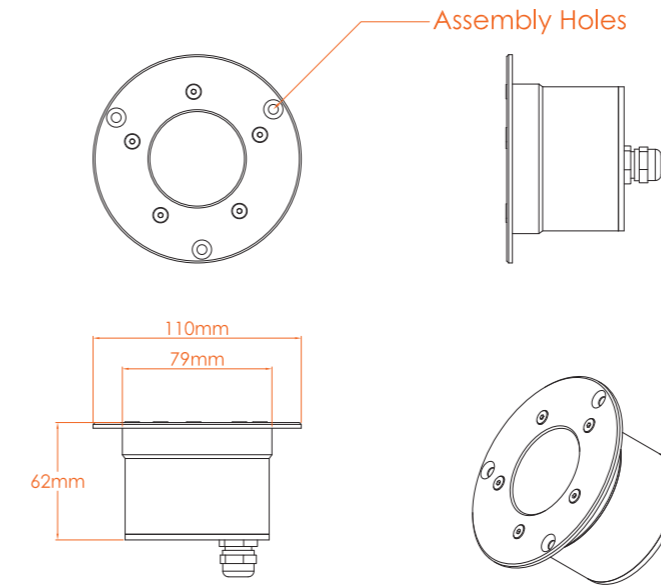
The main colors of RGB lights are each measured for their brightness. Our AquaLIGHT 303 provides equal brightness, thus creating a homogeneous color combination. AquaLIGHT 303 ensures an efficient and aesthetically pleasing composition, particularly in open space fountains. This lighting solution not only illuminates with consistent brightness but also enhances the visual appeal of the area. Additionally, AquaLIGHT 303 is equipped with advanced temperature control and thermal protection, which means it can be safely installed even in dry conditions. This makes it a versatile and reliable choice for various lighting needs.



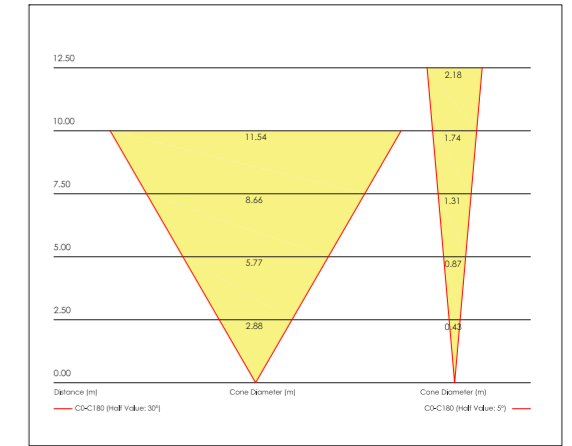
- ✓ Edison PowerLED
- ✓ Driver circuit onboard
- ✓ Aluminium PCB
- ✓ IP68
- ✓ Robust stainless steel
- ✓ Tempered glass
- ✓ DMX + RDM controlled
- ✓ Synchronorm Depence Library available

# AquaLIGHT 303

DryDECK Option :

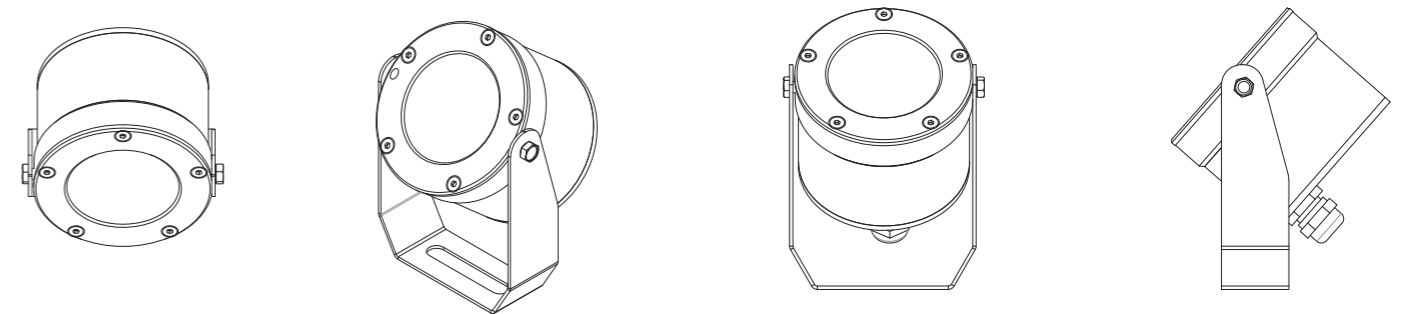


Lighting Angle:



! In lighting, choosing the lens angle is as important as selecting the color or wattage. Small angles retain brightness at long distances, while wide angles cover larger areas but lose brightness over distance.

Schematic :



## ACCESSORIES

PRODUCT	ORDER NO
BlackBox :	5022
Combo Cable :	page
ByPass Terminal :	page
Comet Nozzle :	page
Holder U Profile :	3079
Holder Lighting :	3078

## TECHNICAL DETAILS

MODEL :	AquaLIGHT 303
DIMENSION (ØxH) :	110 x 62 mm
VOLTAGE :	24 VDC
POWER :	9W
CURRENT :	0.4 A
COLORS :	RGB
POWER & DMX :	Combo Cable
LUMINOUS FLUX RGB FULL :	512 lm
WEIGHT :	1 kg
PRODUCT NO :	3019